

LEISTER®

Adapter plates

Adapter plates
to mount
LHS 15, 21, 41, 61
in place of
LE heaters and
first generation
LHS line

Leister Process Technologies
Galileo-Strasse 10
CH-6056 Kaegiswil/Switzerland

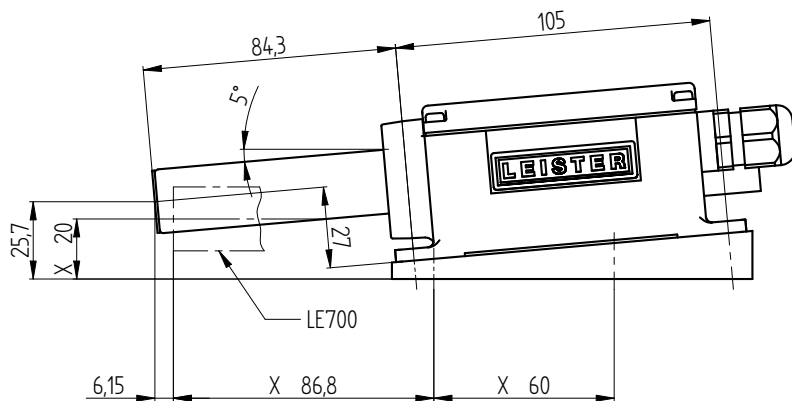
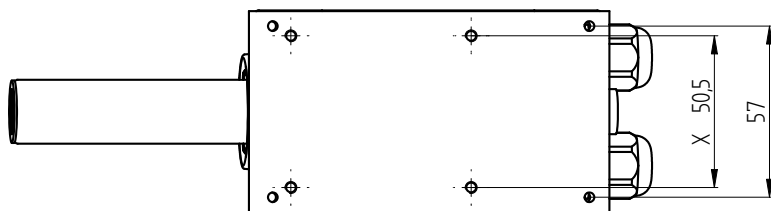
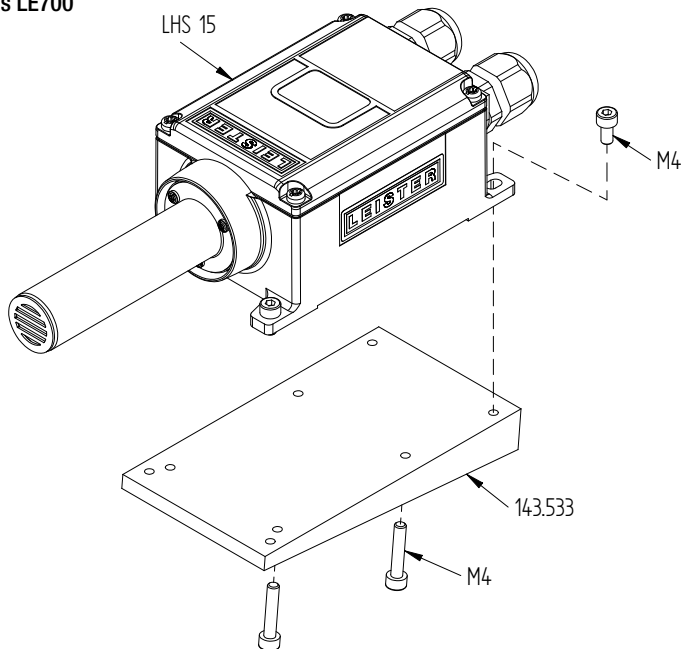
Tel. +41 41 662 74 74

Fax +41 41 662 74 16

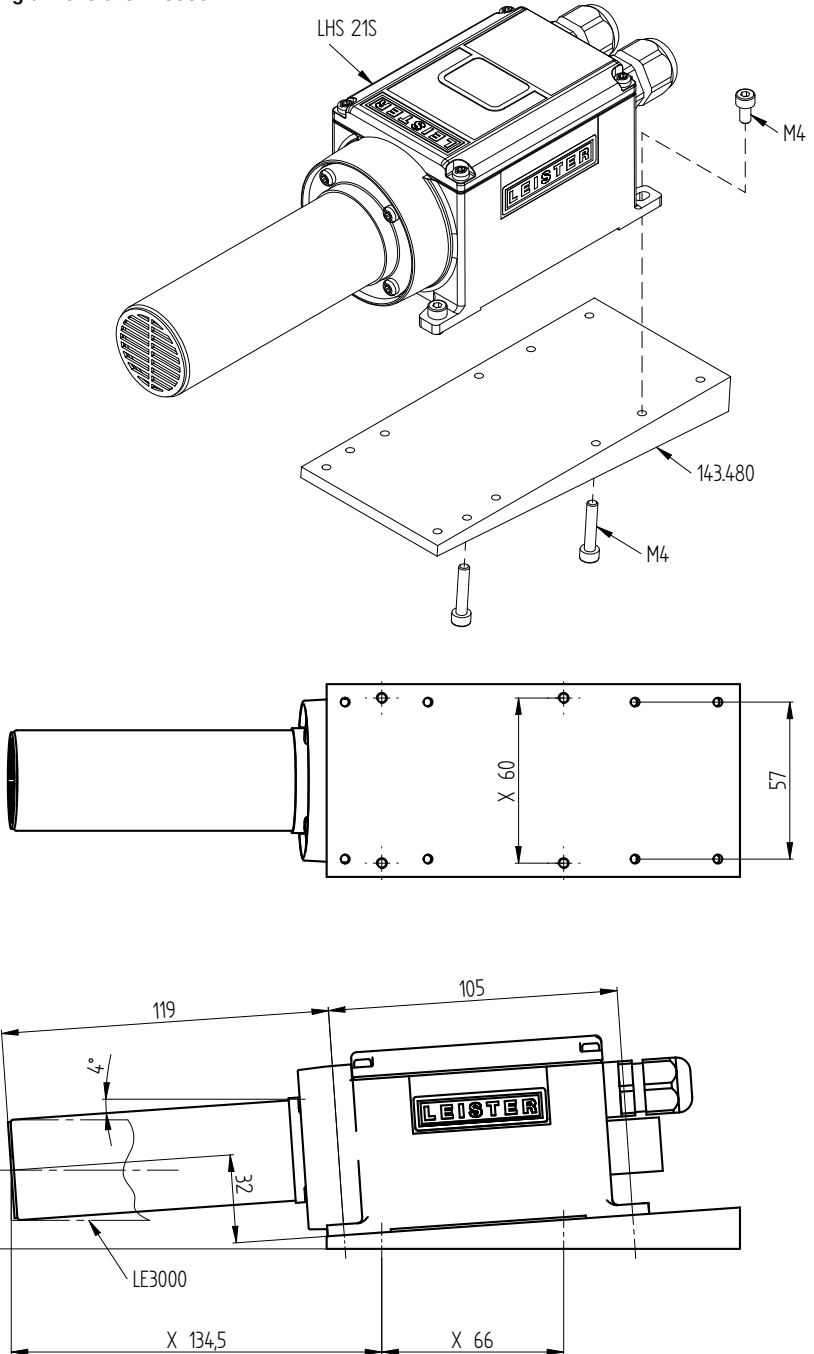
www.leister.com

sales@leister.com

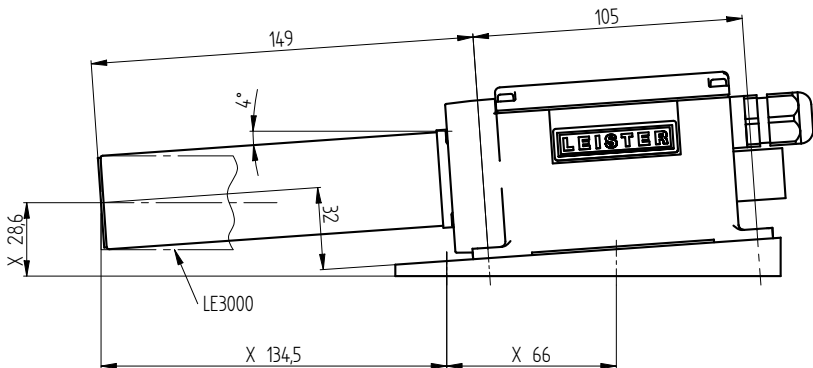
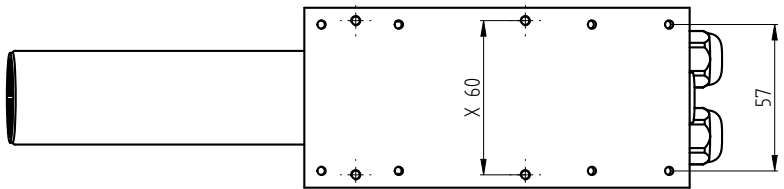
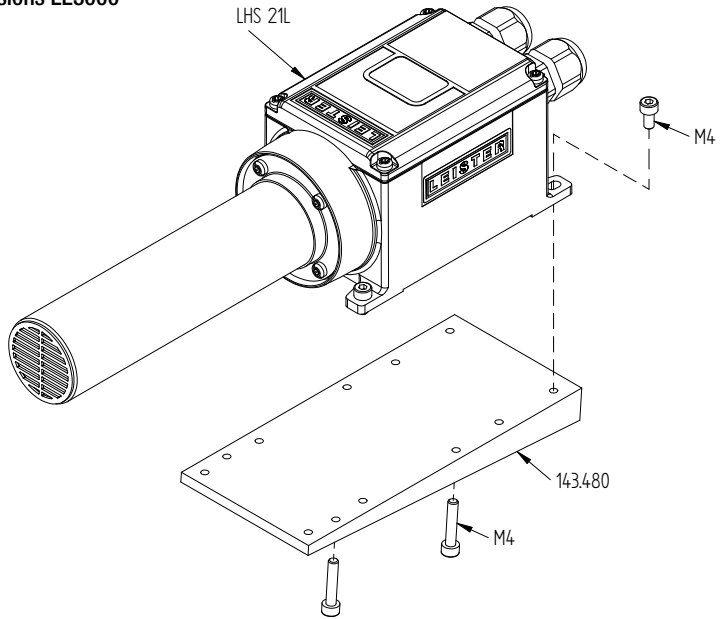
X = Connecting dimensions LE700



X = Connecting dimensions LE3000

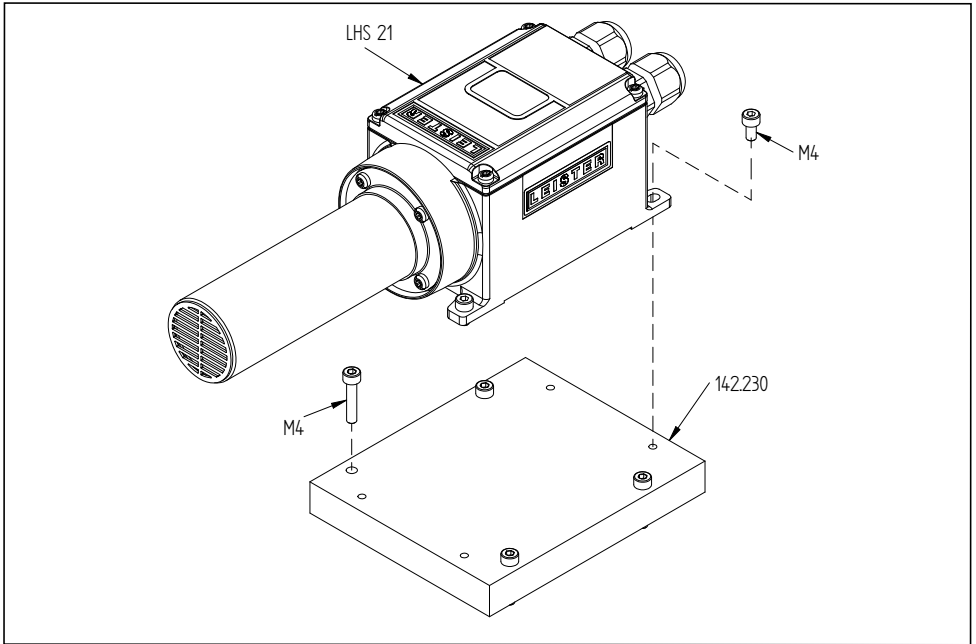


X = Connecting dimensions LE3000



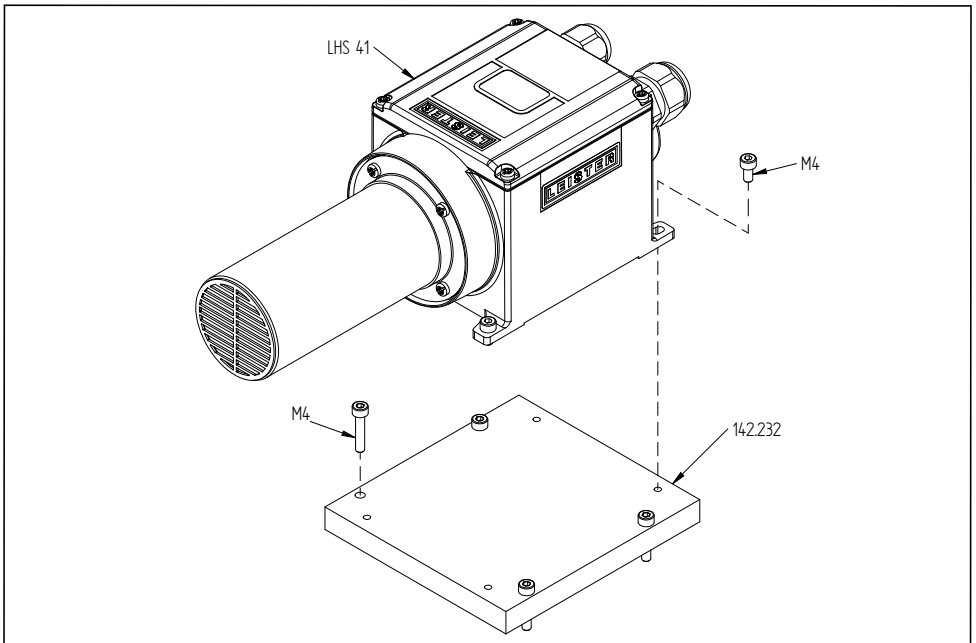
Adapter plate

LHS 21S - LHS 20S / LHS 21L - LHS 20L



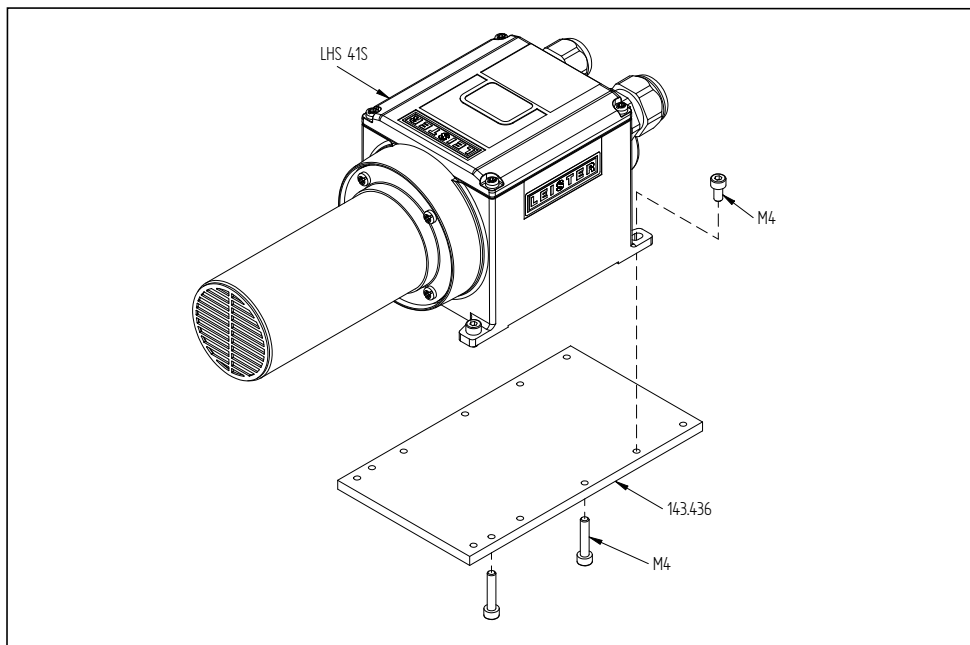
Adapter plate

LHS 41S - LHS 40S / LHS 41L - LHS 40L



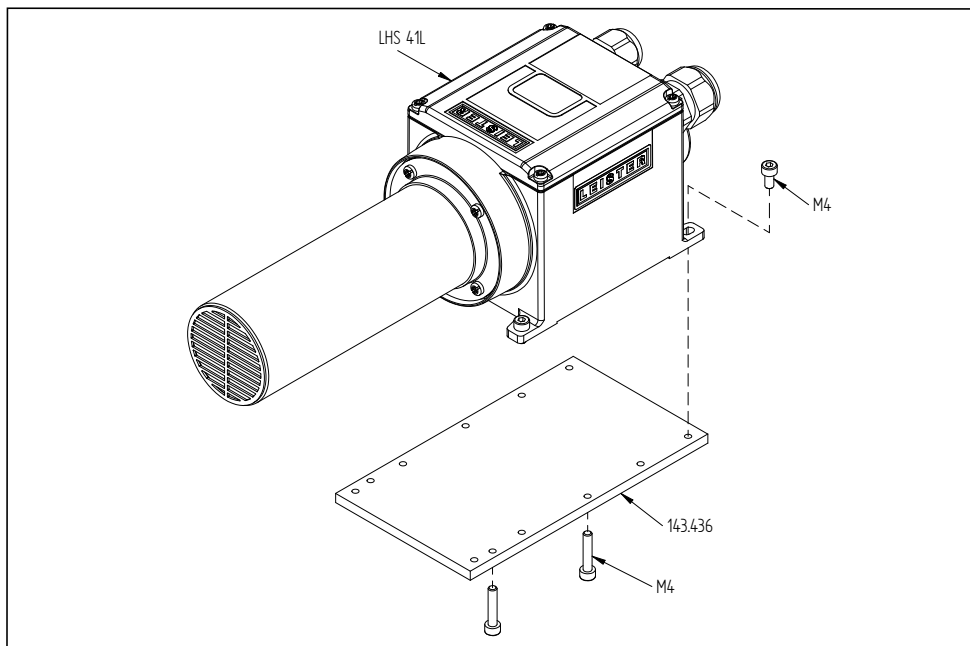
Adapter plate

LHS 41S – LE3300

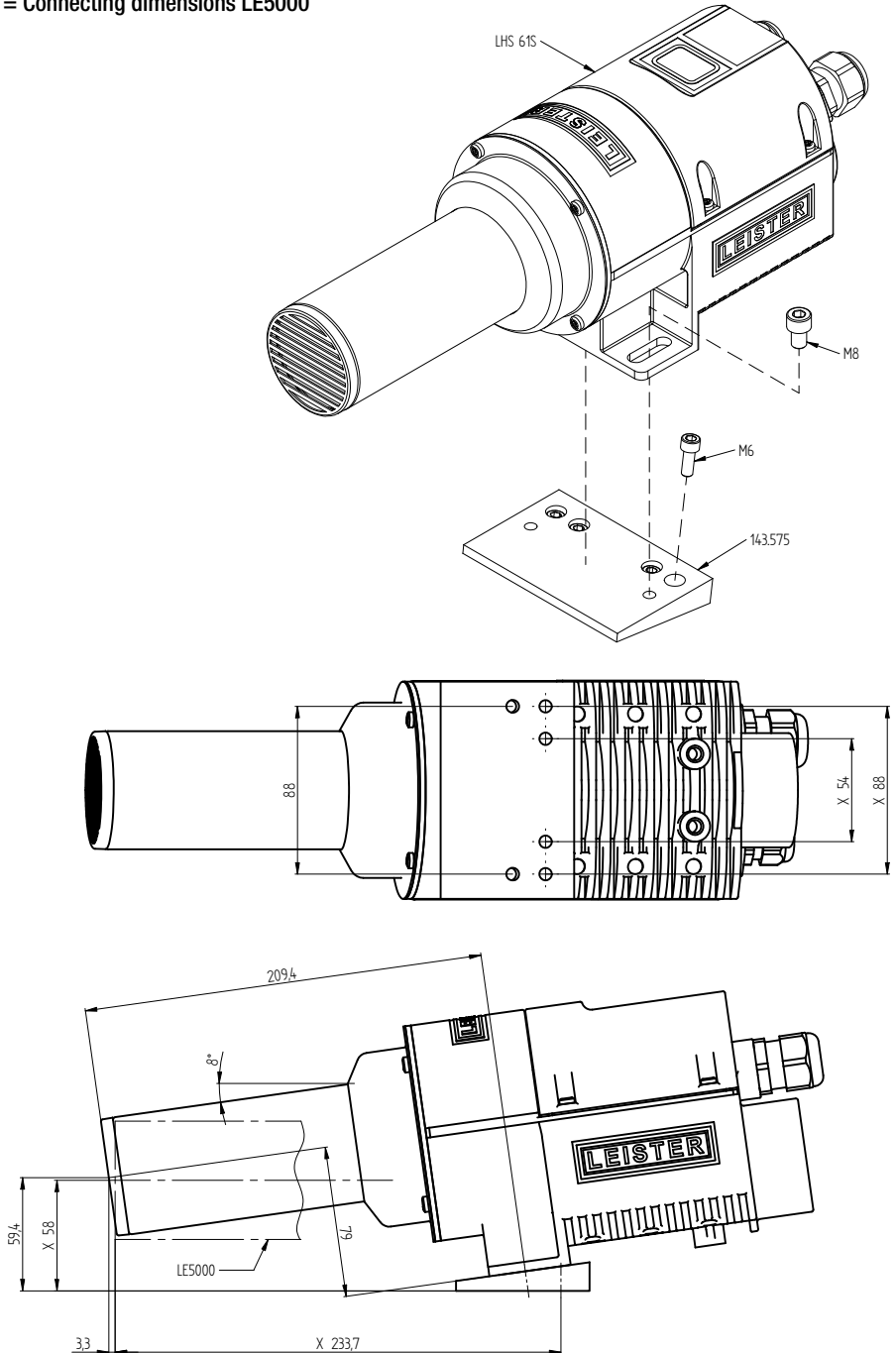


Adapter plate

LHS 41L – LE3300



X = Connecting dimensions LE5000





Your authorised Service Centre is:

A large, empty rectangular box with a thin black border, intended for the user to write the name and address of their authorized service center.

Leister Process Technologies
Galileo-Strasse 10
CH-6056 Kaegiswil/Switzerland

Tel. +41 41 662 74 74

Fax +41 41 662 74 16

www.leister.com

sales@leister.com